



MODEL:DV-11-3BC

Description: The adjustable head joints made of brass casting, pipe diameter and is mainly used to connect.

一. Constitution:

(1)Parts: 1)3/8"Diverter\*1;

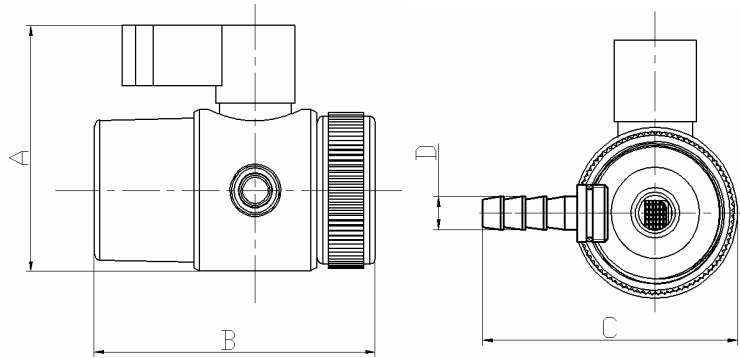


二. Technical Parameters And Related Matters:

1) Size:

Name	Material	A (mm)	B (mm)	C (mm)	D (mm)
3/8"Diverter	Cu	42.3	48.4	42	φ 8

2)Diagram: (see photo):



3)Packing:

Quantity of each package	N. W (Kg)	G. W (Kg)	L (mm)	W (mm)	H (mm)
100	11	12	25	25	16

Warning: Do not place in direct sunlight component.