



MODEL:BV-2BV

Description: The adjustable head joints made of brass casting, pipe diameter and is mainly used to connect.

一. Constitution:

- (1)Parts: 1) 1/4"Ball valve*1;

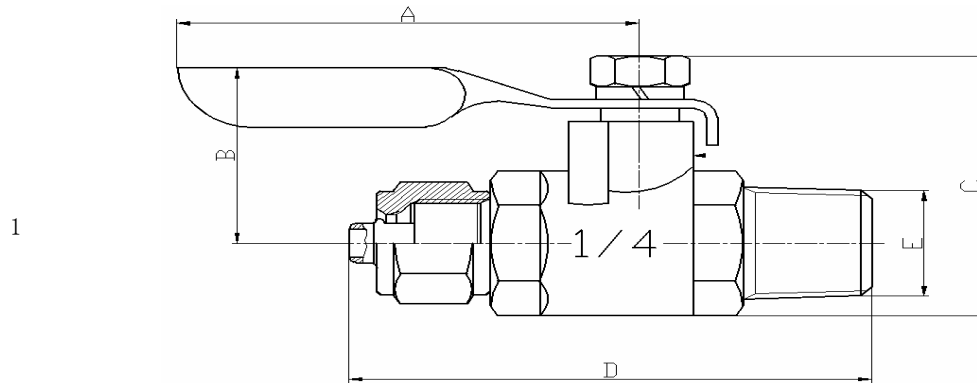


二. Technical Parameters And Related Matters:

1) Size:

Name	Material	A (mm)	B (mm)	C (mm)	D (mm)	E (in)
1/4"Ball valve	Cu	42	20	29.6	44	1/4"

2)Diagram: (see photo):



3)Packing:

Quantity of each package	N. W (Kg)	G. W (Kg)	L (mm)	W (mm)	H (mm)
250	12	13	24	24	16

Warning: Do not place in direct sunlight component.